

Smart PRO Untethered Technical Product Specifications



General Specification

Untethered	Yes
Weight	3.5kg
Operating Temperature	-20°C to 50°C
Storage Temperature	-20°C to 50°C
Operating Humidity	10% to 85%
Communications	WiFi (standard) 4G, Ethernet (optional)
Communications Protocol	Indra App
Warranty Length	3 years
Socket Type	Type 2

Electrical Specification

Rated Power	7.4kW
Standby Consumption	5W
Nominal frequency	50Hz
Overvoltage category	CAT III
Input Voltage	230V, AC +/- 10% (1P)
Output Voltage	Variable up to 32A

Mechanical Specification

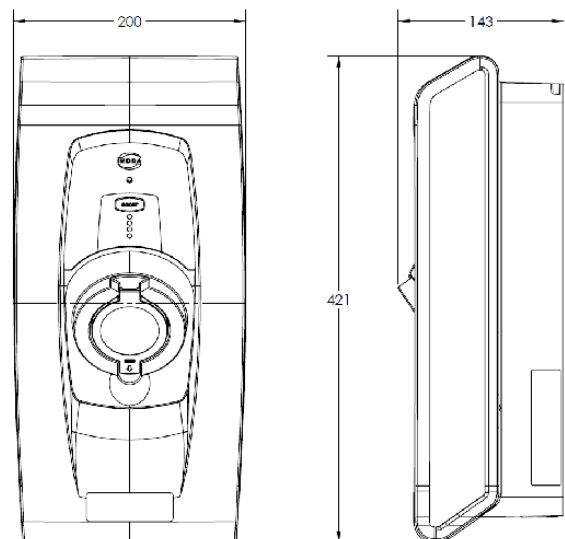
Height	421mm
Width	200mm
Depth	143mm
IP Enclosure	Polycarbonate, IP65 rated

Protection Specification

Protection	6mA DC leakage detection
Degree of Protection	IP65
IK Protection	IK10

Key Features

- PEST Protection
 - PEN Fault protection (inbuilt)
 - Earthing protection
 - Simultaneous contact protection
 - Touch voltage protection
- Load curtailment
- Solar mode
- App control via Indra App
 - Smart scheduling
 - Tariff integration / Intelligence
 - Track your history / Charging analytics
 - Lock your charger
- Boost via charger or Indra App
- Dedicated Customer Support Team
- Continuous over-the-air updates
- Fully compliant with all Smart Charging Regulations



Email us:
sales@indra.co.uk



Call us:
(+44) 01684 770 631



Website:
www.indra.co.uk